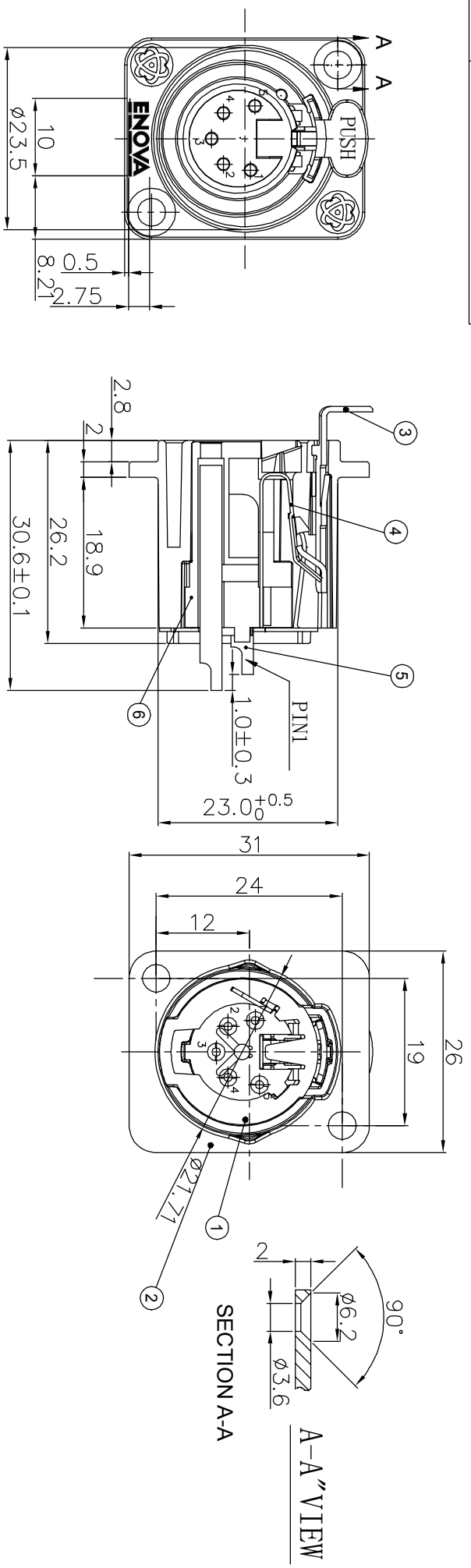


1		2		3		4		5		6		7		8	
ISS	ZONE	DESCRIPTION	PER REQUEST	DATE											
V	OPEN	Open drawings to customers													



NO.	DESCRIPTION	MATERIAL	FINISH	Q'TY	DRAWING NO.
1	GROUND STRIP	H62	TIN	1	
2	DIE-CAST SHELL	ZZnAl4-1	(Electro coating black)	1	
3	PUSH BUTTON	H62	NICKEL	1	
4	LATCH	65Mn		1	
5	FEMALE PIN	H62	SILVER	5	
6	INSULATOR	PA	BLACK	1	

DIMENSIONS ARE IN MILLIMETERS
UNLESS OTHERWISE SPECIFIED
TOLERANCES:
ANGLES = ±5°
UP TO 6 = ±0.2
6-40 = ±0.4
40-120 = ±0.6
120-315 = ±1
ABOVE 315 = ±1.6

APPROVED	DATE	CHECKED	DATE

THIRD_ANGLE SCALE 1/2

ERRP LINK:

FILE NO.	DATE	TITLE
HAONANHU	2019-8-20	5P XLR FEMALE CHASSIS CONNECTOR

PART NO. XL15FB

REV. A1

Connector Distribution GmbH