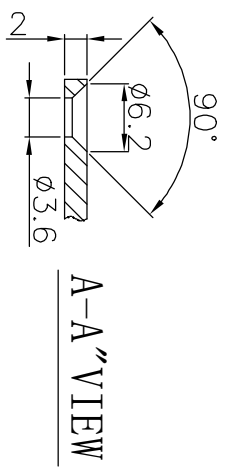
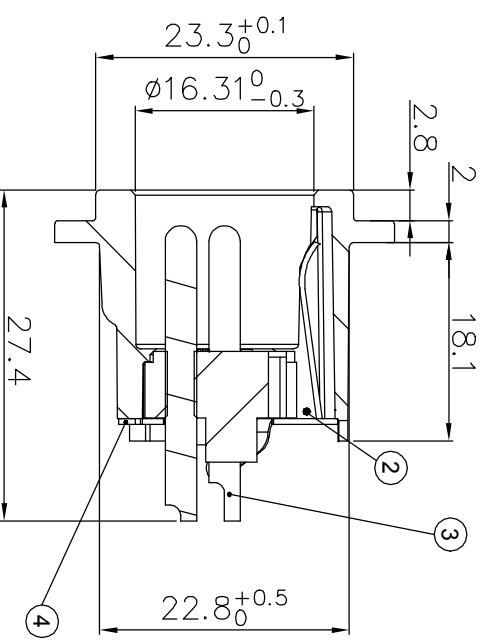
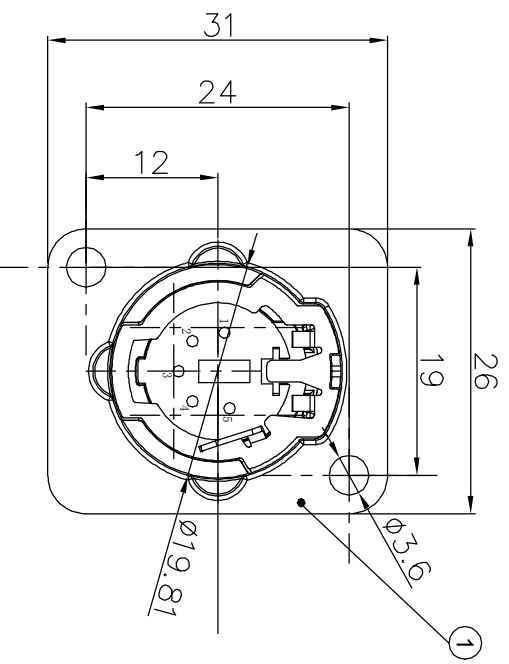
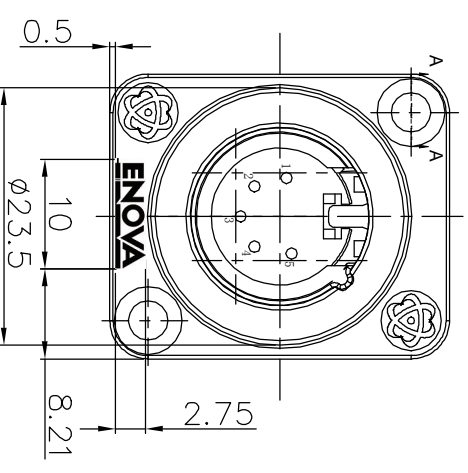


REVISIONS	
ISS	DESCRIPTION \ PER REQUEST \ DATE
V	OPEN
	Open drawings to customers



SECTION A-A

A-A "VIEW"



NO.	DESCRIPTION	MATERIAL	FINISH	QTY	DRAWING NO.
4	GROUND STRIP	H62	TIN	1	
3	PIN	H59-1		5	
2	INSULATOR	PA		1	
1	DIE-CAST SHELL	ZZnAl4-1	Electro coating black	1	

DIMENSIONS ARE IN MILLIMETERS		APPROVED	DATE
UNLESS OTHERWISE SPECIFIED		CHECKED	DATE
TOLERANCES		DRAWN: HAONANHU DATE: 2019-8-20	
ANGLES = ±5°		FILE NO.	
UP TO 6 = ±0.2		ERR LINK:	
6-40 = ±0.4		THIRD_ANGLE	
40-120 = ±0.6		SCALE	
120-315 = ±1		1/2	
ABOVE 315 = ±1.6			

Connector Distribution GmbH		PART NO.	REV.
5P XLR MALE CHASSIS CONNECTOR		XL15MB	A1