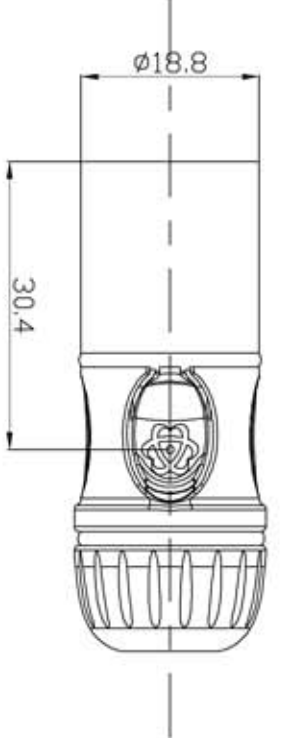
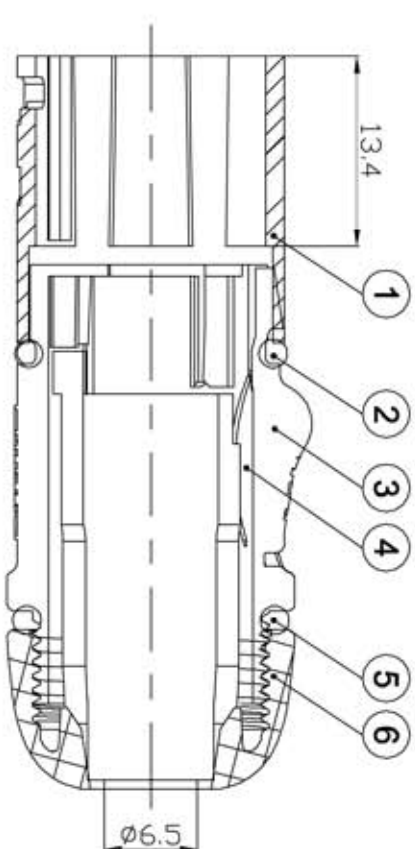
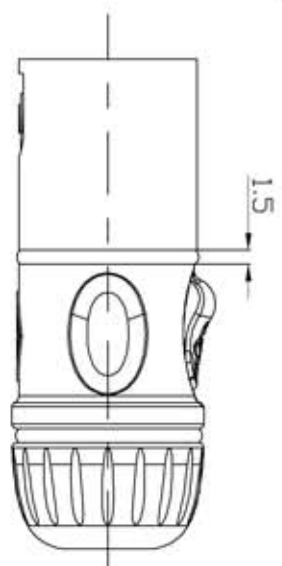
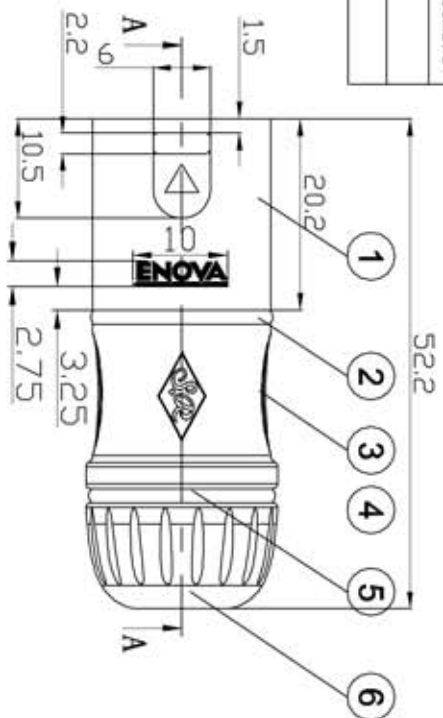


REVISONS	
ISS	ZONE
	DESCRIPTION \PER REQUEST \DATE

V	OPEN	Open drawings to customers



NO.	DESCRIPTION	MATERIAL	FINISH	QTY	DRAWING NO.
7	T-RING	RUBBER	BLACK	1	
6	GAP	PA	BLACK	1	
5	O-RING	RUBBER	BLACK	1	
4	CABLE CLAMP	POM		1	
3	PLASTIC SHELL	PA	BLACK	1	
2	O-RING	RUBBER	RED	1	
1	SHELL	ZZA4-1	Electrop horctic black	1	

DIMENSIONS ARE IN MILLIMETERS  
UNLESS OTHERWISE SPECIFIED  
TOLERANCES  
ANGLES = ±5°  
UP TO 6 = ±0.2  
6-40 = ±0.4  
40-120 = ±0.6  
120-315 = ±1  
ABOVE 315 = ±1.6

APPROVED	DATE
CHECKED	DATE
DRAWN	DATE

ERP LINK: [QINSUN](#) FILE NO. [2020-01-03](#)

<b>Connector Distribution GmbH</b>	
TITLE	
RJ45COM, Compatible with Ether Connector	
PART NO.	RJ28MB-C5
REV.	A1